

MITSUBISHI MMC

6D1 Series 100-184 Hp



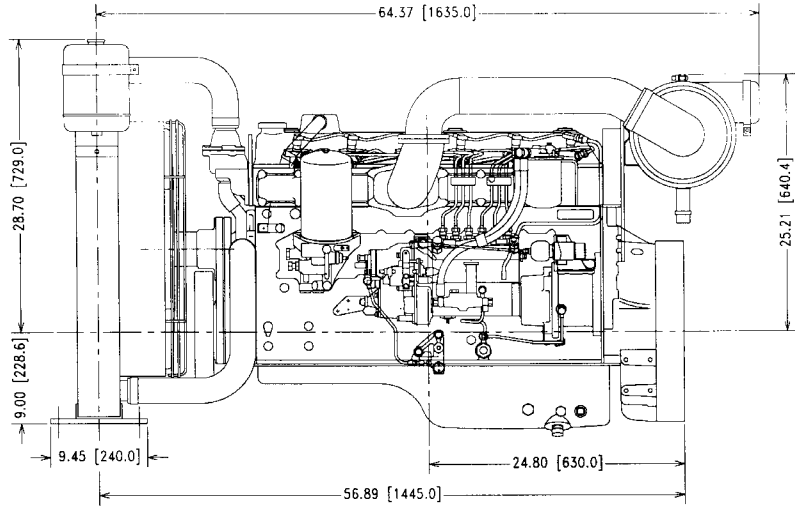
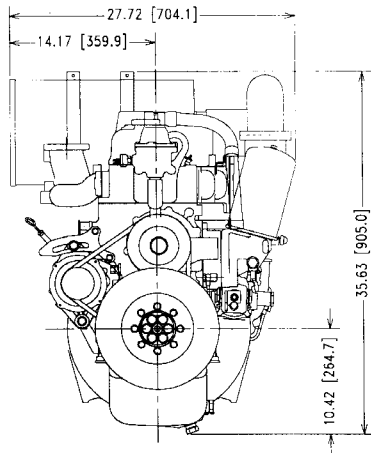
Mitsubishi Diesel Engines Mitsubishi Motor Corp. (MMC)							
ENGINE MODEL		6D14		6D14-T		6D16-T	
ENGINE TYPE		Liquid-cooled, direct injected, 6 cylinder inline diesel, 4 stroke cycle					
BORE & STROKE IN. (MM)		4.33 x 4.53 (110 x 115)		4.33 x 4.53 (110 x 115)		4.65 x 4.53 (118 x 115)	
DISPLACEMENT CU. IN. (LITER)		400 (6.56)		400 (6.56)		460 (7.55)	
ASPIRATION		NATURAL		TURBO		TURBO	
EPA & CARB NON-ROAD CERTIFIED		NO		NO		YES	
	RPM	HP	KWm	HP	KWm	HP	KWm
INDUSTRIAL VARIABLE SPEED	1500	76	57	105	78	139	104
	1800	91	68	125	93	166	124
	2200	105	78	145	108	188	140
	2500	110	82	153	114	194	145
	2800	114	85	160	119	212*	147
GEN-DRIVE POWER STAND-BY	1500	79	59	119	89	154	115
	1800	102	76	153	114	184*	137
DRY WEIGHT (lbs.)		1102		1191		1213	
MAX. TORQUE ft. lbs. (Nm)		282 (383)		372 (505)		514 (696)	
SPEED @ MAX. TORQUE (rpm)	rpm	1600		1400		1400	
SPECIFIC FUEL CONSUMPTION	lbs/hph g/kwh	.373 (227)		.340 (207)		.335 (204)	

The values given in this data sheet are for information purposes only and are not guaranteed.

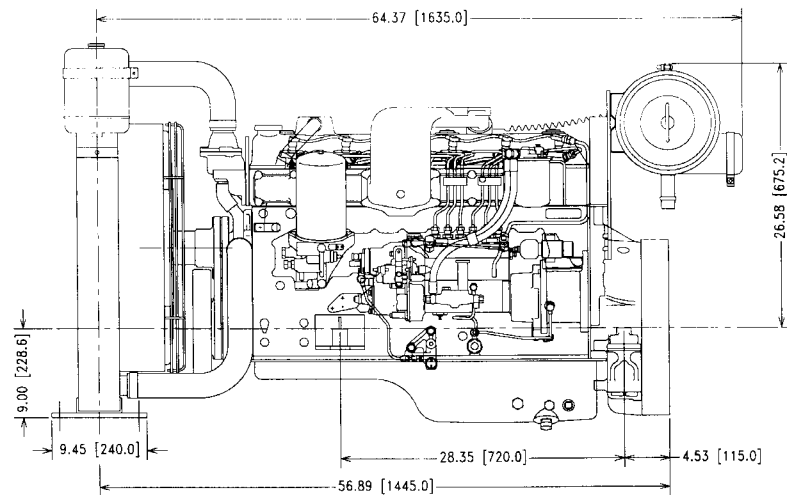
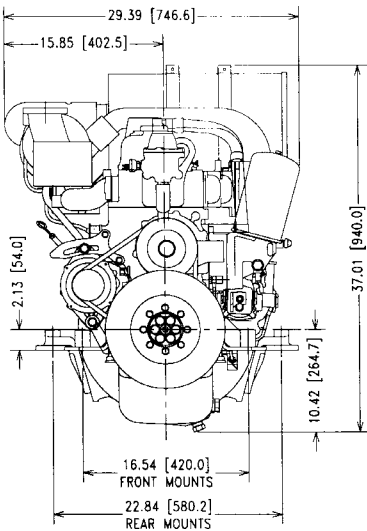
- Severe duty 6 cylinder diesels from Mitsubishi Motors Corp.
- Designed for round the clock reliability.
- Known survivability and virtually fault free operation.
- Extremely easy service and maintenance procedures.
- Exceptionally well suited for extensive operating hours on prime duty gensets and stationary duty.
- When you are serious about quality - specify MITSUBISHI MMC.



Power for a World of Applications,
Performance without Compromise.



MODEL 6D14



MODEL 6D14-T & 6D16-T

BASIC EQUIPMENT

OPTIONAL EQUIPMENT

- | | | | |
|-------------------------|------------------------------|---------------------|----------------------|
| ● Radiator | ● Cooling Fan | ● Precleaners | ● Engine Flex Mounts |
| ● SAE 3 Adapter Housing | ● SAE 11.5 Flywheel | ● Instrument Panels | ● Starting Aids |
| ● Dry-Type Air Cleaner | ● Spin-on Oil & Fuel Filters | ● PTO Clutches | ● PTO Stubshafts |
| ● Fuel Pump | ● 12V. Starter | ● Shutdown Devices | |
| ● 12V. Alternator | | | |